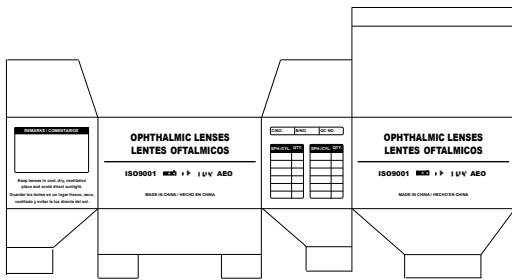


Appendix 3 Package of Lenses

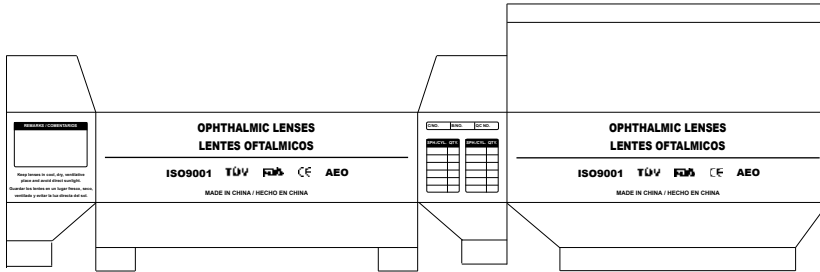
- (1) Ophthalmic lenses are packed in color-printed lens covers (offset printing), one lens cover for each piece. Usually, lenses will be packed with the following inner boxes and standard seaworthy export cartons.

Items	Inner Boxes		Export Cartons and Estimated Gross Weight	
	Type A 170x95x95mm	Type B 340x95x95mm	Type 1, Size 400x360x320mm (24 A Boxes or 12 B Boxes)	Type 2, Size 590x360x320mm (36 A Boxes or 18 B Boxes)
Hard Resin Lenses, Finished	○	●	○ 10-14 Kgs	● 16-22 Kgs
Hard Resin Lenses, Semi-finished		●	○ 10-14 Kgs	● 16-22 Kgs
Mineral Lenses, Finished	●		● 20-26 Kgs	
Mineral Lenses, Semi-finished		●	● 22-30 Kgs	

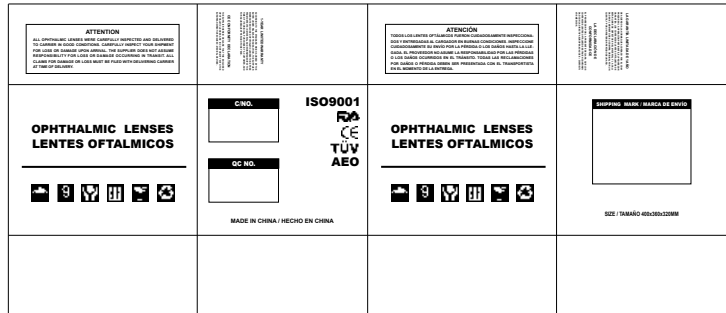
● Default Package ○ Optional Package



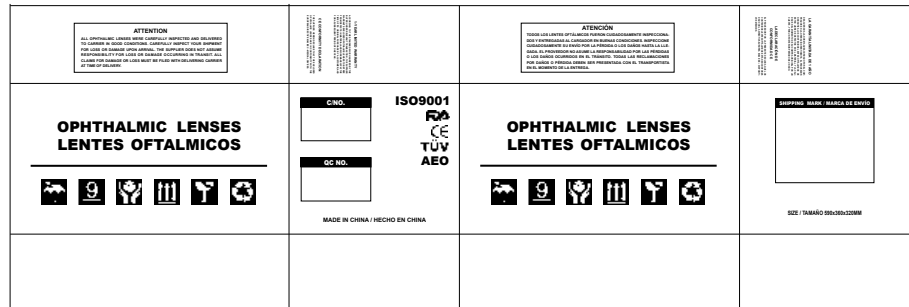
Inner Box Type A (170x95x95mm)



Inner Box Type B (340x95x95mm)



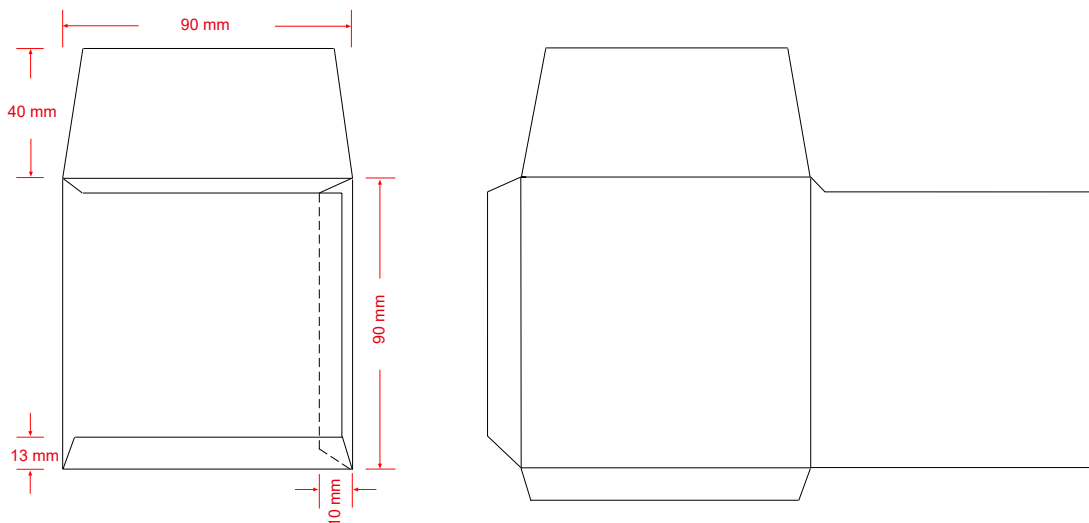
Export Carton Type 1 (400x360x320mm)



Export Carton Type 2 (590x360x320mm)

If necessary, a Packing Details List will be submitted by Y&S after shipment showing products and powers in each carton and each inner box.

- (2) To make it easy for all relevant parties to handle the goods, usually, Y&S's invoice number is shown on each carton as a shipping mark, provided no more instruction from the customer.
- (3) Lenses can be packed in Y&S's general lens covers without showing Y&S's information which is shown in this Purchase Guide free of charge. Provided any shipment of more than 5,000 pairs (10,000 pieces), Y&S can also pack lenses with one lens cover design appointed by the customer free of charge; otherwise, Y&S will charge an extra fee of USD100.00 for each design. The customer is suggested to make its design according to the following shape, size, and gluing process.



Shape, Size and Gluing Process

Customers are welcome to send their very own lens cover design to Y&S by CD, DVD, or e-mail, Y&S will make the necessary artwork to improve or complete the design free of charge. The files can be edited under a personal computer (PC system) with Macromedia Freehand 10, Adobe InDesign CS6, Adobe Illustrator CS6, or Corel Draw X6, the resolution should be not less than 300 dpi, and the suggested lens cover size should be not more than 90x90mm. We will not accept any files created or edited under the Mac system or any other Apple products.

Provided the customer is not familiar with the above software, they can submit lens cover samples, designs, logo, graphics, descriptions, and company information, Y&S will make necessary artwork free of charge. Any revised lens cover design will be sent to the customer in the graphics format through e-mail for their approval before printing.

- (4) A barcode on each lens cover is available with an extra fee of USD0.02/pair (USD0.01/piece). The customer needs to submit its barcode data in detail. The system of Y&S can create barcodes in the formats listed below. If there is no special requirement from the customer, the Code 128 format will be used. The barcode label size will be 60x20mm, usually, it will be put at the top of the front side of each lens cover of finished lenses or the top side of each lens box of semi-finished lenses.

Codabar;	Code 128;
Code 39 (ASCII);	Code 39 (Full ASCII);
Code 93;	Composite (EAN.UCC), RSS-14;
Composite (EAN.UCC), RSS-14 Stacked;	Composite (EAN.UCC), RSS-14 Stacked Omni-Directional;
Composite (EAN.UCC), RSS-14 Truncated;	Data Matrix;
ITF-14;	MicroPDF417;
MSI Plessey;	PDF417;
QR Code;	RSS Expanded;
RSS Limited;	RSS-14;
RSS-14 Stacked;	RSS-14 Stacked Omni-Directional;
RSS-14 Truncated;	TLC 39;
UCC-EAN 128;	UPC-A;
UPC-E;	2 of 5 Inter Leaved.

- (5) For hard resin lenses, the inside lining in the lens cover is free of charge.